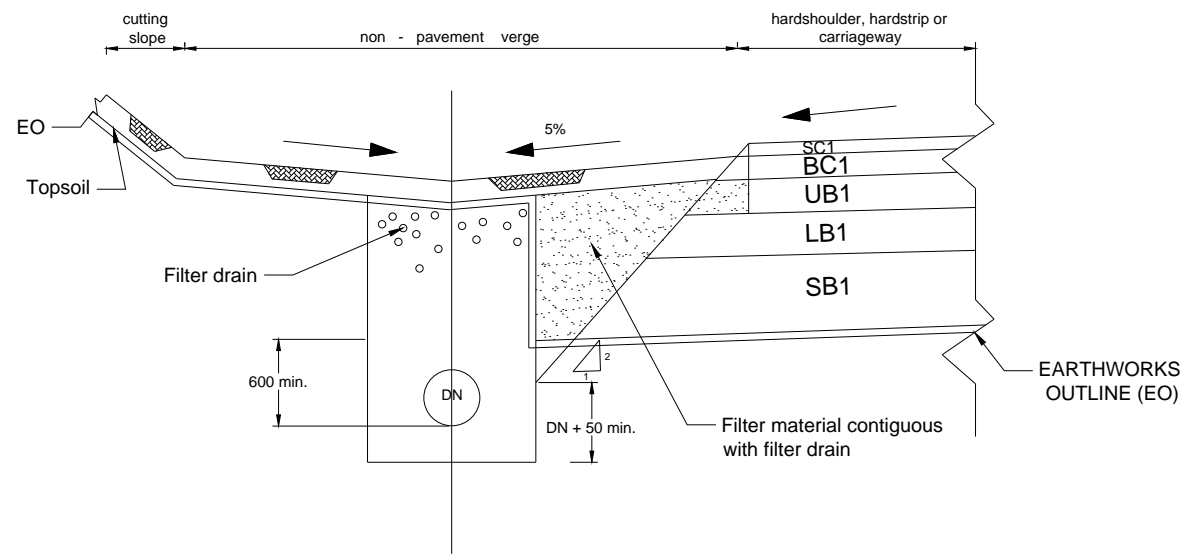


FLEXIBLE PAVEMENT



RIGID PAVEMENT

Pavement E	Pavement options		
	DBM50(320 mm)	HDM50 (320mm)	EME2 (260mm)
PAVEMENT LAYER	THICKNESS (mm)		
SC1	35	35	35
BC1	65	65	55
UB1	100	100	80
LB1	120	120	90
SB1	210	210	210

Pavement E	Pavement options	
	CRCP(290 mm)	CRCB (320mm)
PAVEMENT LAYER	THICKNESS (mm)	
SC1	35	35
BC1	55	65
UB1	100	100
LB1	100	130
SB1	210	210

ADDITIONAL NOTES

1. All dimensions are in millimetres.
2. DN represents nominal diameter of the pipe.
3. The drawings were completed in reference to the document:
b series - standard of highways
4. Capping is not required for drawings 1A and 1B.

DRAWING TITLE
HIGHWAY CONSTRUCTION DETAILS/EDGE OF PAVEMENT DETAILS/CUTTING COMBINED-SURFACE WATER AND GROUND WATER FILTER DRAINS

STUDENT ID
1226020

COURSE
CIVIL ENGINEERING WITH SUSTAINABILITY

MODUAL CODE
CE3602

SCALE
DRAWINGS ARE NOT DONE TO SCALE